

Tucker



MODEL: AC-2159

DESIGN: DS STUDIO

Tucker

AC-2159

CONFIGURATION

OTTOMAN • SOFA • ARMLESS LOVESEAT • *ONE ARM LOVESEAT • *ONE ARM SOFA • *ARMLESS W/BUMPER
*CORNER W/ARMLESS BUMPER • CORNER • *ONE ARM CHAISE

*Line drawing shown as right facing, also available as left facing. Top view shown approximate 1/4" scale.

SPECIFICATIONS

FRAME: Select hardwood and industrial grade plywood covered with polyurethane foam and polyester fiber.

SUSPENSION: 3" unidirectional webbing.

CUSHIONS: Seat; visco elastic and multiple density/IFD polyurethane foam wrapped with polyester fiber.

Back Pillow; 50% 90/10 white goose feather & down and 50% polyester fiber.

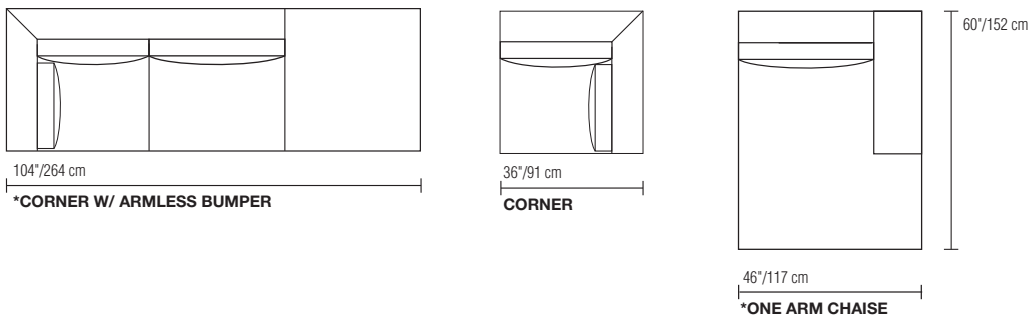
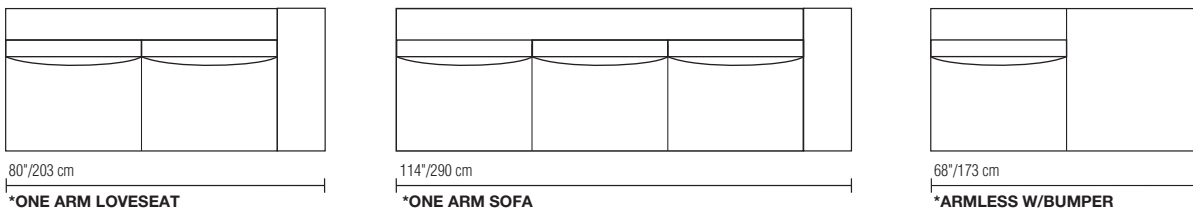
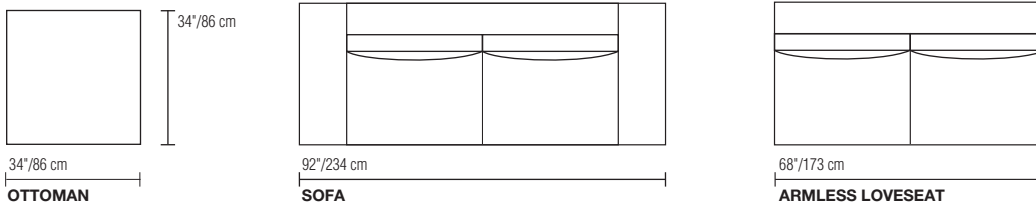
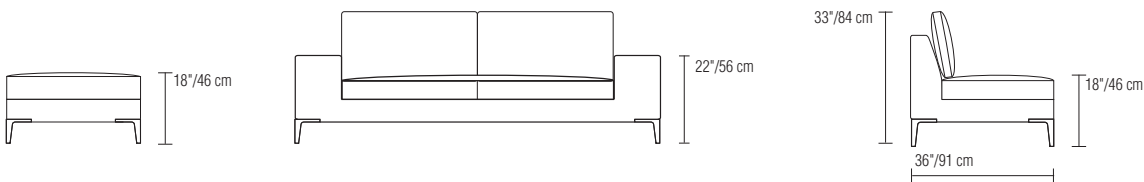
UPHOLSTERY: Fabrics; all edges are serged and top stitched.

LEG: Metal leg with sable powder coated or brush nickle and plastic glide.

SEAT DEPTH: Seat depth with back cushion approx. 22"/ 56 cm

Seat depth of chaise with back cushion approx. 45"/ 114 cm

NOTE: **Accent pillows, lumbar not included, please see accent pillow columns for pricing.**



Specifications are subject to change without notice. [HP-F-15]

©2016 Dellarobbia, Inc. All rights reserved.

DELLAROBBI
www.dellarobbiausa.com